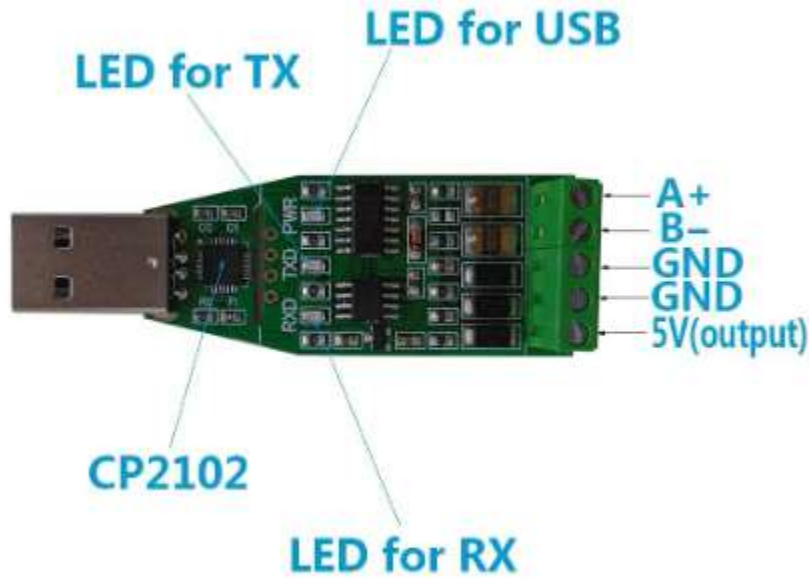
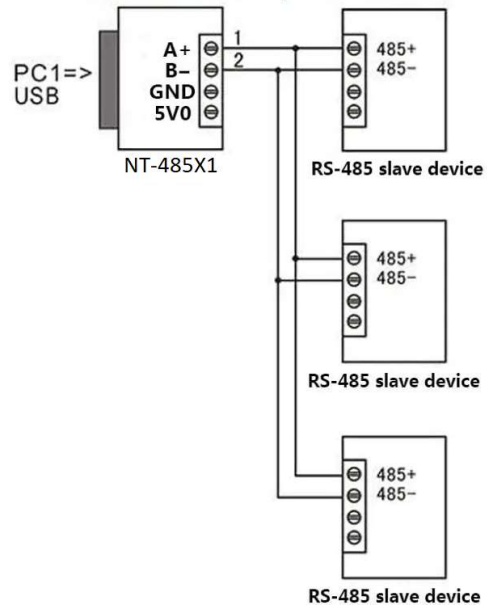
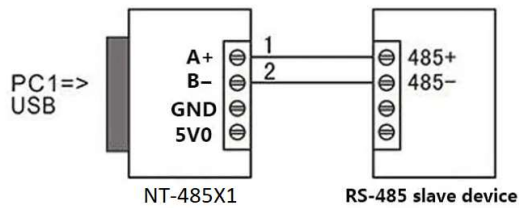


# NT-485X1



## USB to RS485 wiring instructions

1. USB RS485 converter to a single RS485 Slave (Half duplex)
2. USB RS485 converter to multiple RS485 slaves (Half duplex)
3. USB RS485 converter to USB RS485 converter( Half duplex)



3. USB RS485 converter to USB RS485 converter( Half duplex)

